

STANDING SEAM FACADE DETAILS - HORIZONTAL

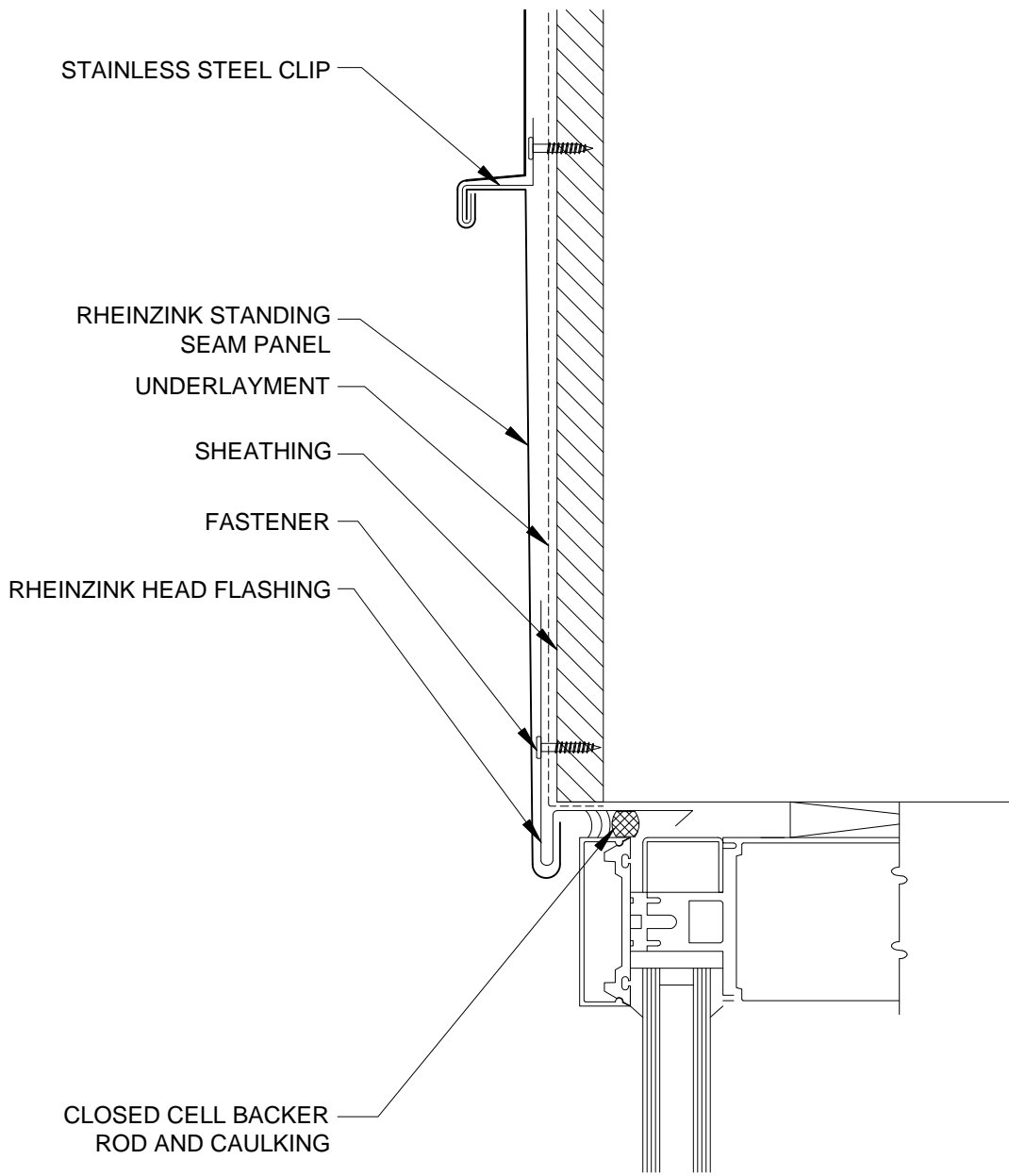
INDEX OF DRAWINGS

STANDARD DETAILS:

SSF-H-1a	-	HEAD DETAIL - OPTION 1
SSF-H-1b	-	HEAD DETAIL - OPTION 2
SSF-H-1c	-	HEAD DETAIL - OPTION 3
SSF-H-2a	-	JAMB DETAIL
SSF-H-3a	-	SILL DETAIL - OPTION 1
SSF-H-3b	-	SILL DETAIL - OPTION 2
SSF-H-4a	-	OUTSIDE CORNER DETAIL
SSF-H-5a	-	INSIDE CORNER DETAIL
SSF-H-6a	-	BASE TERMINATION DETAIL - OPTION 1
SSF-H-6b	-	BASE TERMINATION DETAIL - OPTION 2
SSF-H-7a	-	PARAPET DETAIL - OPTION 1
SSF-H-7b	-	PARAPET DETAIL - OPTION 2
SSF-H-8	-	HORIZONTAL SEAM DETAIL
SSF-H-9	-	VERTICAL SEAM DETAIL
SSF-H-10	-	PANEL & SEAM PROFILES


CUSTOM DETAILS:

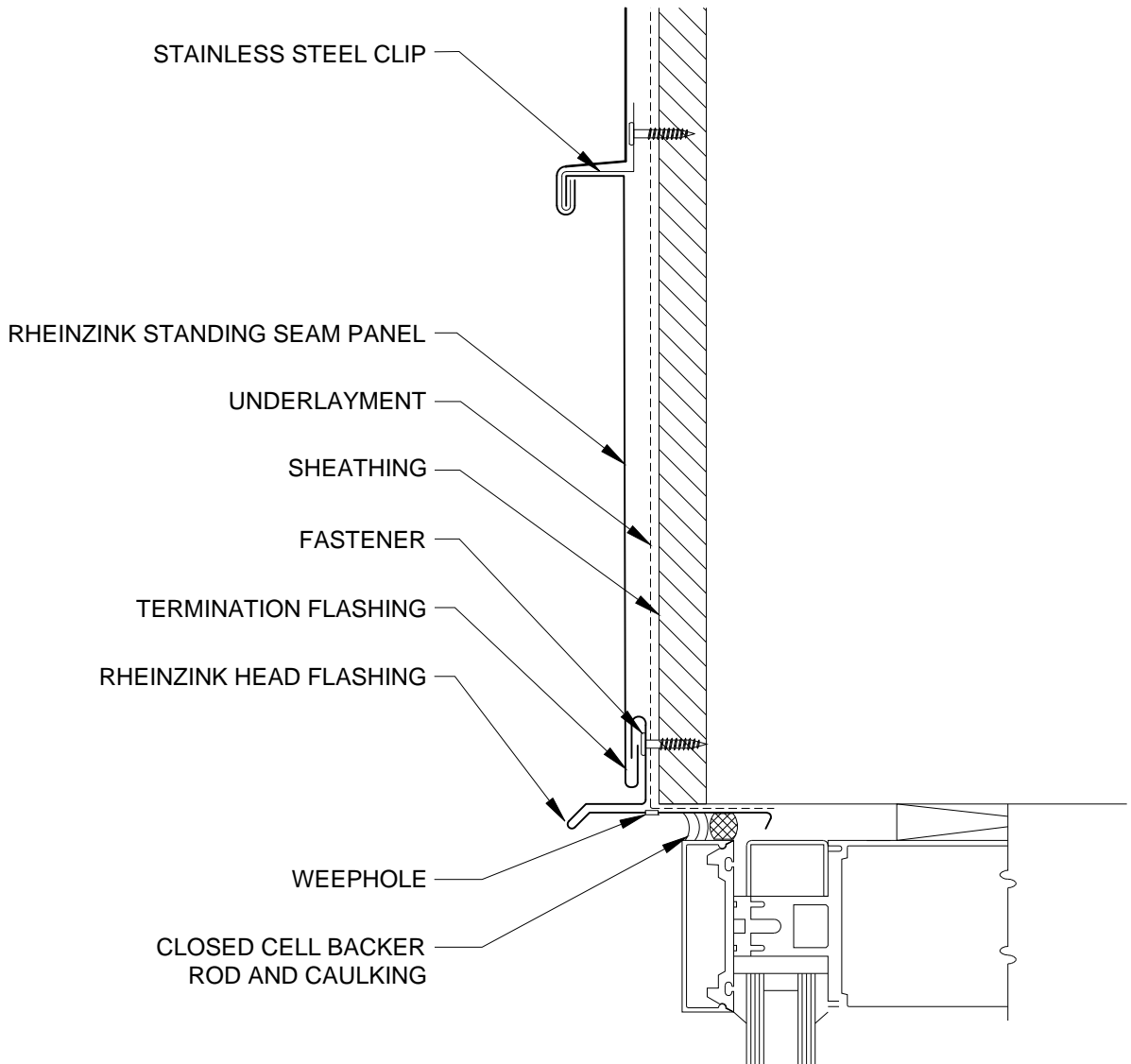
SSF-H-2b	-	JAMB DETAIL
SSF-H-4b	-	OUTSIDE CORNER DETAIL
SSF-H-5b	-	INSIDE CORNER DETAIL
SSF-H-7c	-	PARAPET DETAIL



NOTES:


1. RHEINZINK RECOMMENDS STAINLESS STEEL FASTENERS AND CLIPS.
2. ZINC CLIPS MAY BE USED ON FACADES.

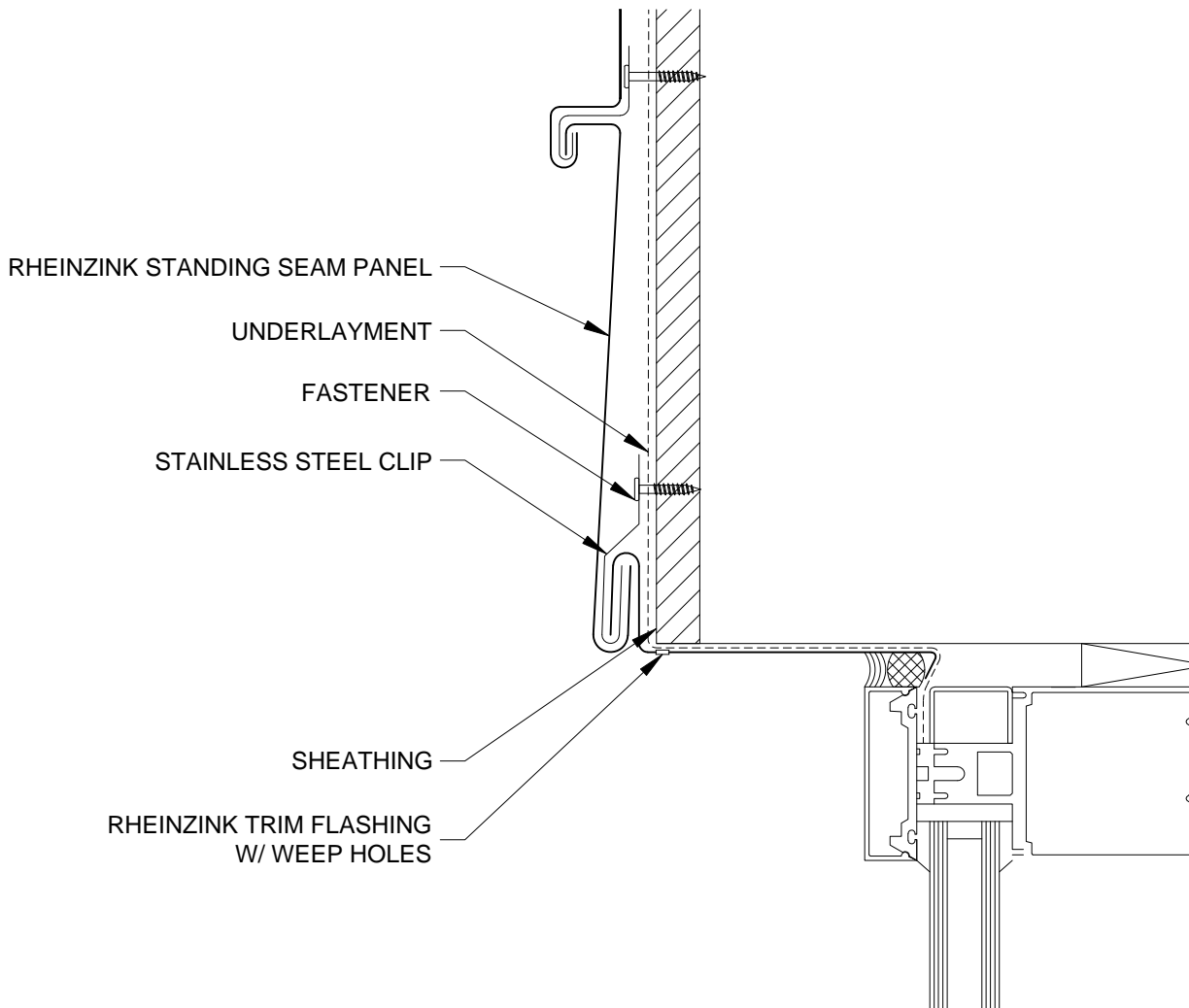
 Website: www.rheinzink.us E-mail: info@rheinzink.com	
INFORMATION AND DETAILS HEREIN ARE ONLY A BASELINE FOR SYSTEM DESIGN AND INSTALLATION. MODIFICATION TO MEET PROJECT REQUIREMENTS IS THE RESPONSIBILITY OF THE DESIGNER AND ARCHITECT. RHEINZINK AMERICA STAFF ARE AVAILABLE TO ASSIST THE DESIGNER AND ARCHITECT IN THIS PROCESS. RHEINZINK AMERICA MAKES NO REPRESENTATIONS AND WARRANTIES OTHER THAN THOSE EXPRESSED HEREIN.	
PROJECT:	STAND. SEAM FACADE DETAILS - H
DATE:	10-2011
DRAWING TITLE:	HEAD DETAIL - OPT. 1
SCALE:	N.T.S.
COPYRIGHT RESERVED. THIS DRAWING REMAINS THE PROPERTY OF RHEINZINK.	SHEET:
	SSF-H-1a



NOTES:

1. RHEINZINK RECOMMENDS STAINLESS STEEL FASTENERS AND CLIPS.
2. ZINC CLIPS MAY BE USED ON FACADES.

 Website: www.rheinzink.us E-mail: info@rheinzink.com	
INFORMATION AND DETAILS HEREIN ARE ONLY A BASELINE FOR SYSTEM DESIGN AND INSTALLATION. MODIFICATION TO MEET PROJECT REQUIREMENTS IS THE RESPONSIBILITY OF THE DESIGNER AND ARCHITECT. RHEINZINK AMERICA STAFF ARE AVAILABLE TO ASSIST THE DESIGNER AND ARCHITECT IN THIS PROCESS. RHEINZINK AMERICA MAKES NO REPRESENTATIONS AND WARRANTIES OTHER THAN THOSE EXPRESSED HEREIN.	
PROJECT: STAND. SEAM FACADE DETAILS - H	DATE: 08-2011
DRAWING TITLE: HEAD DETAIL - OPT. 2	SCALE: N.T.S.
COPYRIGHT RESERVED. THIS DRAWING REMAINS THE PROPERTY OF RHEINZINK.	SHEET: SSF-H-1b



NOTES:

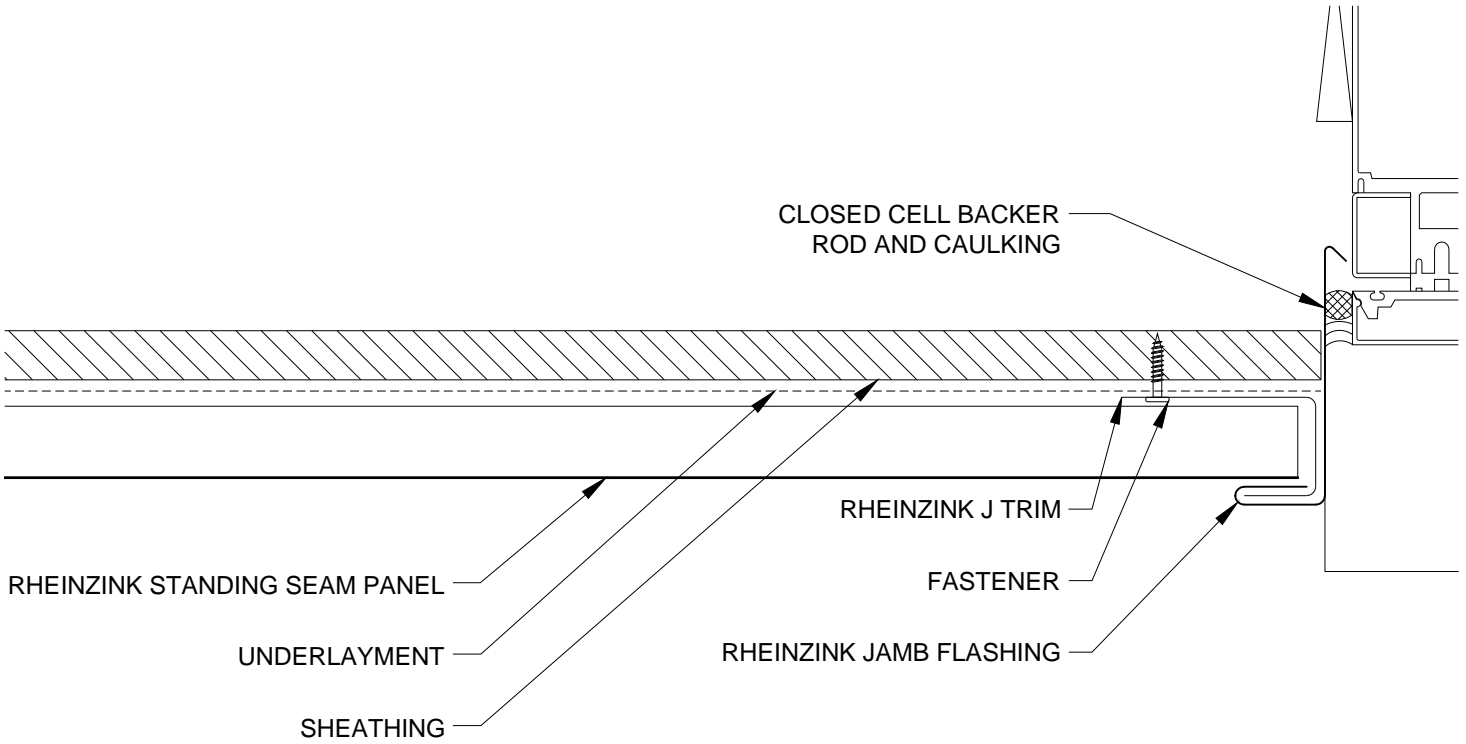
1. RHEINZINK RECOMMENDS STAINLESS STEEL FASTENERS AND CLIPS.
2. ZINC CLIPS MAY BE USED ON FACADES.



Website: www.rheinzink.us E-mail: info@rheinzink.com

INFORMATION AND DETAILS HEREIN ARE ONLY A BASELINE FOR SYSTEM DESIGN AND INSTALLATION. MODIFICATION TO MEET PROJECT REQUIREMENTS IS THE RESPONSIBILITY OF THE DESIGNER AND ARCHITECT. RHEINZINK AMERICA STAFF ARE AVAILABLE TO ASSIST THE DESIGNER AND ARCHITECT IN THIS PROCESS. RHEINZINK AMERICA MAKES NO REPRESENTATIONS AND WARRANTIES OTHER THAN THOSE EXPRESSED HEREIN.

PROJECT:	STAND. SEAM FACADE DETAILS - H	DATE:	10-2011
DRAWING TITLE:	HEAD DETAIL - OPT. 3	SCALE:	N.T.S.
COPYRIGHT RESERVED. THIS DRAWING REMAINS THE PROPERTY OF RHEINZINK.		SHEET:	SSF-H-1c



NOTES:

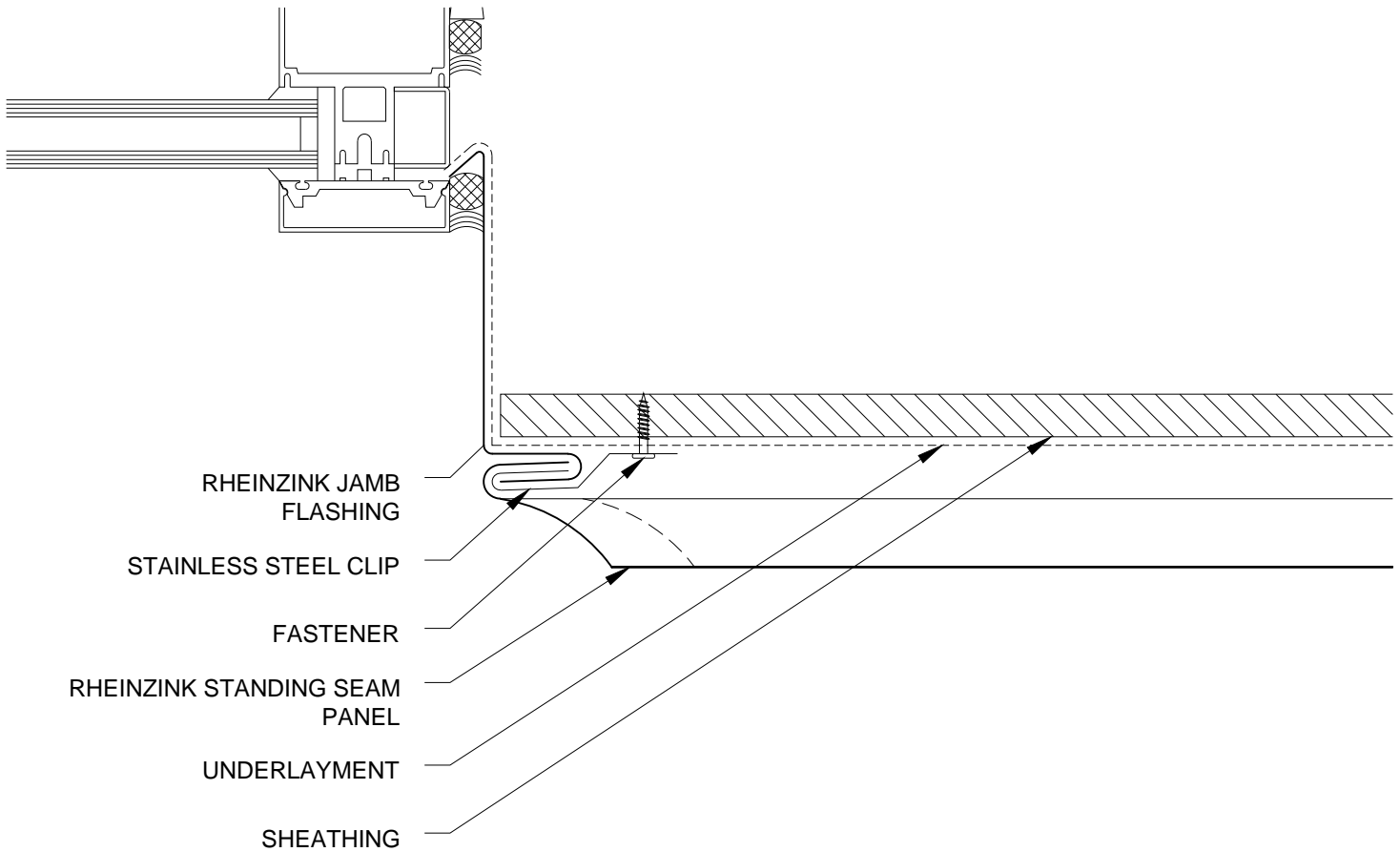
1. RHEINZINK RECOMMENDS STAINLESS STEEL FASTENERS AND CLIPS.
2. ZINC CLIPS MAY BE USED ON FACADES.



Website: www.rheinzink.us E-mail: info@rheinzink.com

INFORMATION AND DETAILS HEREIN ARE ONLY A BASELINE FOR SYSTEM DESIGN AND INSTALLATION. MODIFICATION TO MEET PROJECT REQUIREMENTS IS THE RESPONSIBILITY OF THE DESIGNER AND ARCHITECT. RHEINZINK AMERICA STAFF ARE AVAILABLE TO ASSIST THE DESIGNER AND ARCHITECT IN THIS PROCESS. RHEINZINK AMERICA MAKES NO REPRESENTATIONS AND WARRANTIES OTHER THAN THOSE EXPRESSED HEREIN.

PROJECT:	STAND. SEAM FACADE DETAILS - H	DATE:	10-2011
DRAWING TITLE:	JAMB DETAIL - OPT. 1	SCALE:	N.T.S.
COPYRIGHT RESERVED. THIS DRAWING REMAINS THE PROPERTY OF RHEINZINK.		SHEET:	SSF-H-2a



NOTES:

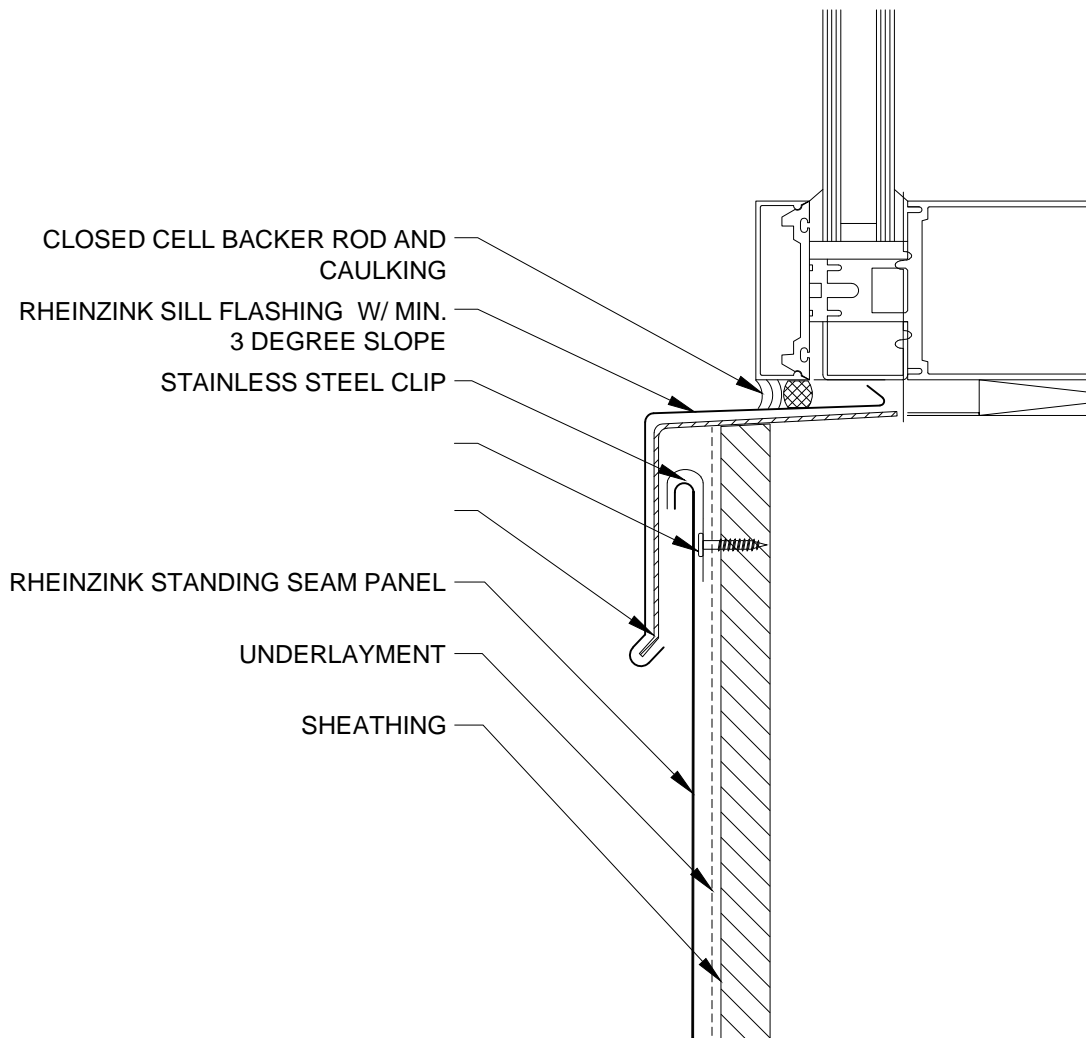
1. RHEINZINK RECOMMENDS STAINLESS STEEL FASTENERS AND CLIPS.
2. ZINC CLIPS MAY BE USED ON FACADES.



Website: www.rheinzink.us E-mail: info@rheinzink.com


INFORMATION AND DETAILS HEREIN ARE ONLY A BASELINE FOR SYSTEM DESIGN AND INSTALLATION. MODIFICATION TO MEET PROJECT REQUIREMENTS IS THE RESPONSIBILITY OF THE DESIGNER AND ARCHITECT. RHEINZINK AMERICA STAFF ARE AVAILABLE TO ASSIST THE DESIGNER AND ARCHITECT IN THIS PROCESS. RHEINZINK AMERICA MAKES NO REPRESENTATIONS AND WARRANTIES OTHER THAN THOSE EXPRESSED HEREIN.

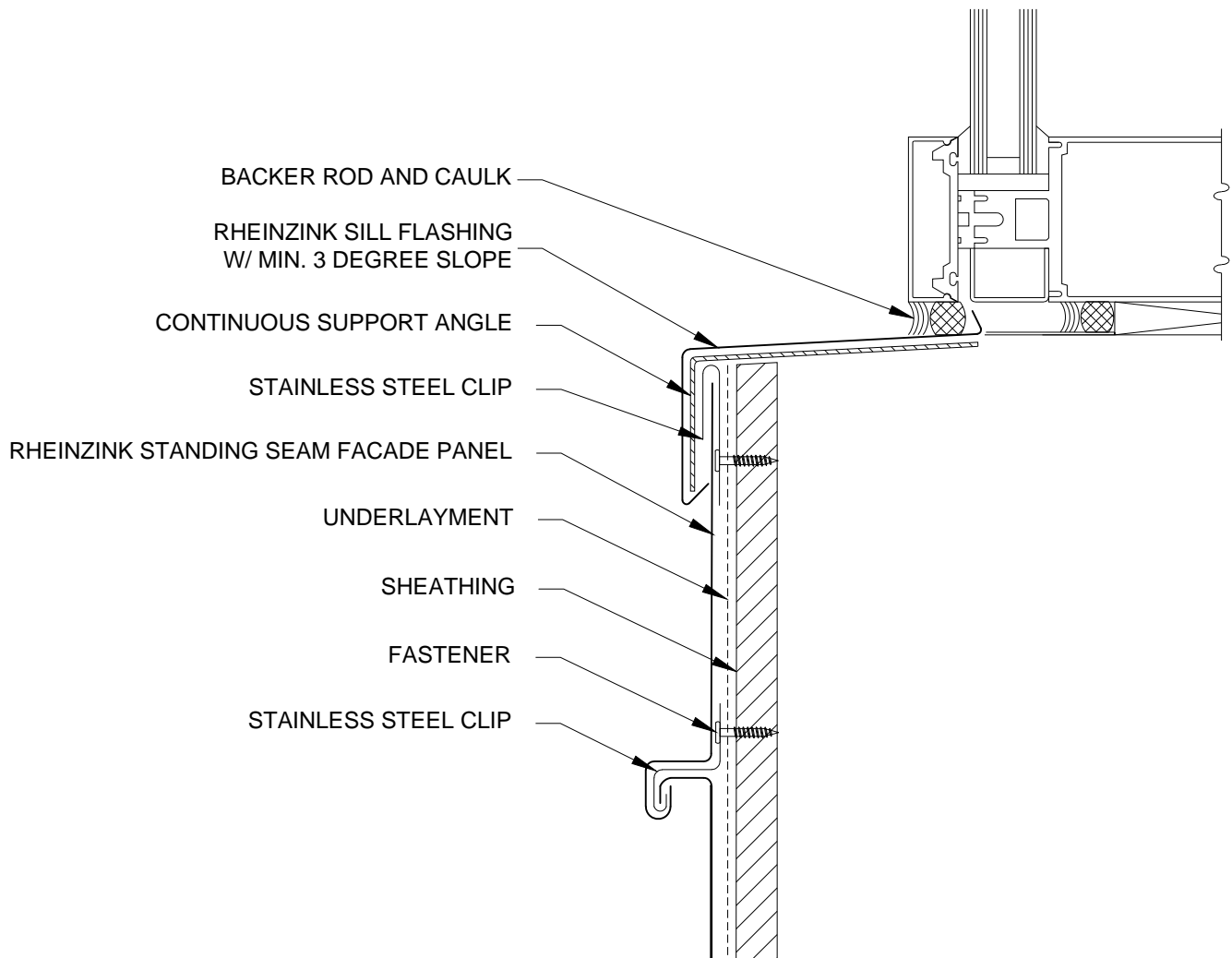
PROJECT:	STAND. SEAM FACADE DETAILS - H	DATE:	08-2011
DRAWING TITLE:	JAMB DETAIL - OPT. 2	SCALE:	N.T.S.
COPYRIGHT RESERVED. THIS DRAWING REMAINS THE PROPERTY OF RHEINZINK.		SHEET:	SSF-H-2b



NOTES:


1. RHEINZINK RECOMMENDS STAINLESS STEEL FASTENERS AND CLIPS.
2. ZINC CLIPS MAY BE USED ON FACADES.

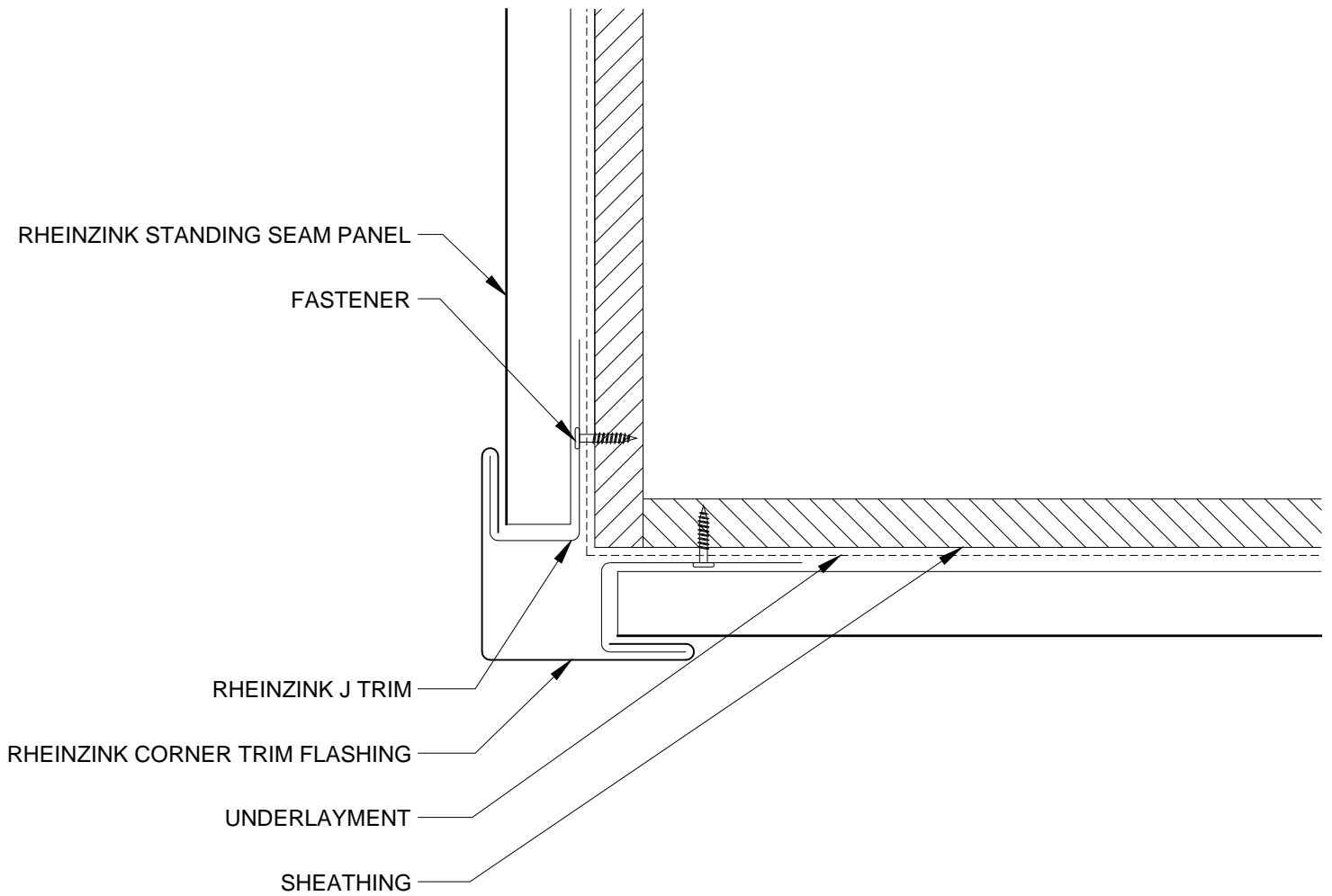
 Website: www.rheinzink.us E-mail: info@rheinzink.com	
INFORMATION AND DETAILS HEREIN ARE ONLY A BASELINE FOR SYSTEM DESIGN AND INSTALLATION. MODIFICATION TO MEET PROJECT REQUIREMENTS IS THE RESPONSIBILITY OF THE DESIGNER AND ARCHITECT. RHEINZINK AMERICA STAFF ARE AVAILABLE TO ASSIST THE DESIGNER AND ARCHITECT IN THIS PROCESS. RHEINZINK AMERICA MAKES NO REPRESENTATIONS AND WARRANTIES OTHER THAN THOSE EXPRESSED HEREIN.	
PROJECT:	STAND. SEAM FACADE DETAILS - H
DRAWING TITLE:	SILL DETAIL - OPT. 1
DATE:	08-2011
SCALE:	N.T.S.
COPYRIGHT RESERVED. THIS DRAWING REMAINS THE PROPERTY OF RHEINZINK.	SHEET:
	SSF-H-3a



NOTES:

1. RHEINZINK RECOMMENDS STAINLESS STEEL FASTENERS AND CLIPS.
2. ZINC CLIPS MAY BE USED ON FACADES.

 Website: www.rheinzink.us E-mail: info@rheinzink.com	
INFORMATION AND DETAILS HEREIN ARE ONLY A BASELINE FOR SYSTEM DESIGN AND INSTALLATION. MODIFICATION TO MEET PROJECT REQUIREMENTS IS THE RESPONSIBILITY OF THE DESIGNER AND ARCHITECT. RHEINZINK AMERICA STAFF ARE AVAILABLE TO ASSIST THE DESIGNER AND ARCHITECT IN THIS PROCESS. RHEINZINK AMERICA MAKES NO REPRESENTATIONS AND WARRANTIES OTHER THAN THOSE EXPRESSED HEREIN.	
PROJECT:	STAND. SEAM FACADE DETAILS - H
DATE:	08-2011
DRAWING TITLE:	SILL DETAIL - OPT. 2
SCALE:	N.T.S.
COPYRIGHT RESERVED. THIS DRAWING REMAINS THE PROPERTY OF RHEINZINK.	SHEET: SSF-H-3b



NOTES:

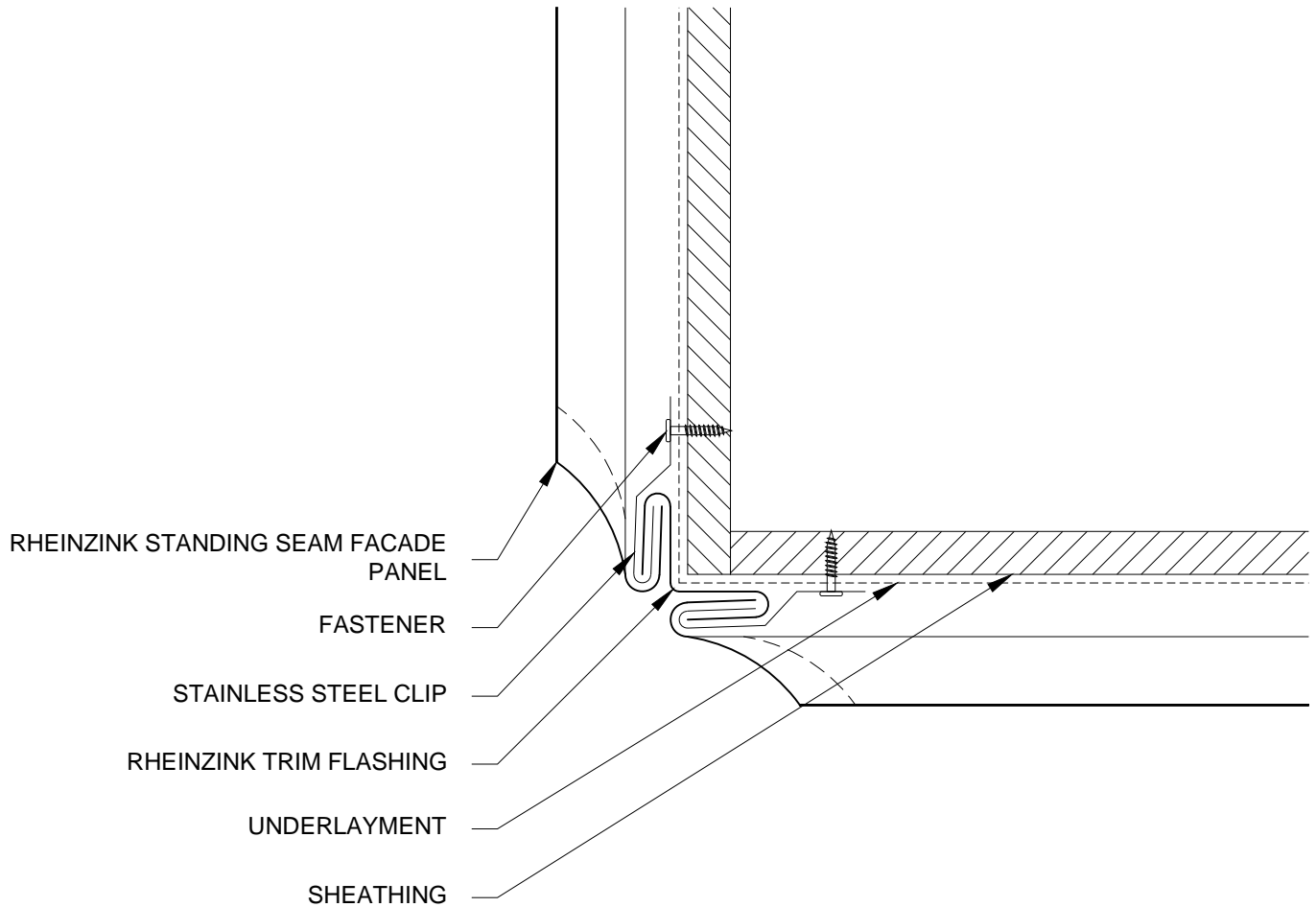
1. RHEINZINK RECOMMENDS STAINLESS STEEL FASTENERS AND CLIPS.
2. ZINC CLIPS MAY BE USED ON FACADES.



Website: www.rheinzink.us E-mail: info@rheinzink.com


INFORMATION AND DETAILS HEREIN ARE ONLY A BASELINE FOR SYSTEM DESIGN AND INSTALLATION. MODIFICATION TO MEET PROJECT REQUIREMENTS IS THE RESPONSIBILITY OF THE DESIGNER AND ARCHITECT. RHEINZINK AMERICA STAFF ARE AVAILABLE TO ASSIST THE DESIGNER AND ARCHITECT IN THIS PROCESS. RHEINZINK AMERICA MAKES NO REPRESENTATIONS AND WARRANTIES OTHER THAN THOSE EXPRESSED HEREIN.

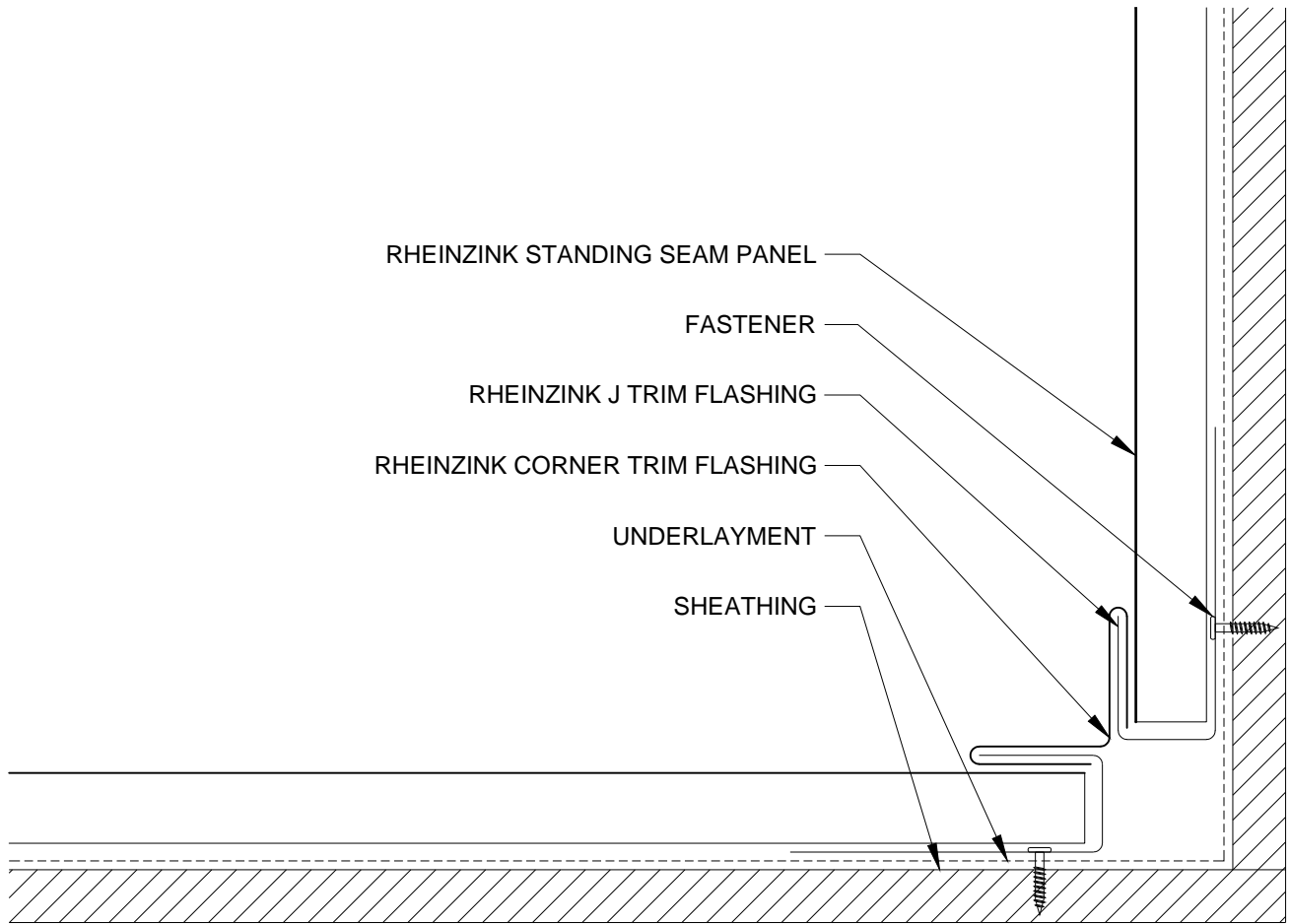
PROJECT:	STAND. SEAM FACADE DETAILS - H	DATE:	08-2011
DRAWING TITLE:	OUTSIDE CORNER DETAIL - OPT. 1	SCALE:	N.T.S.
COPYRIGHT RESERVED. THIS DRAWING REMAINS THE PROPERTY OF RHEINZINK.		SHEET:	SSF-H-4a



NOTES:


1. RHEINZINK RECOMMENDS STAINLESS STEEL FASTENERS AND CLIPS.
2. ZINC CLIPS MAY BE USED ON FACADES.

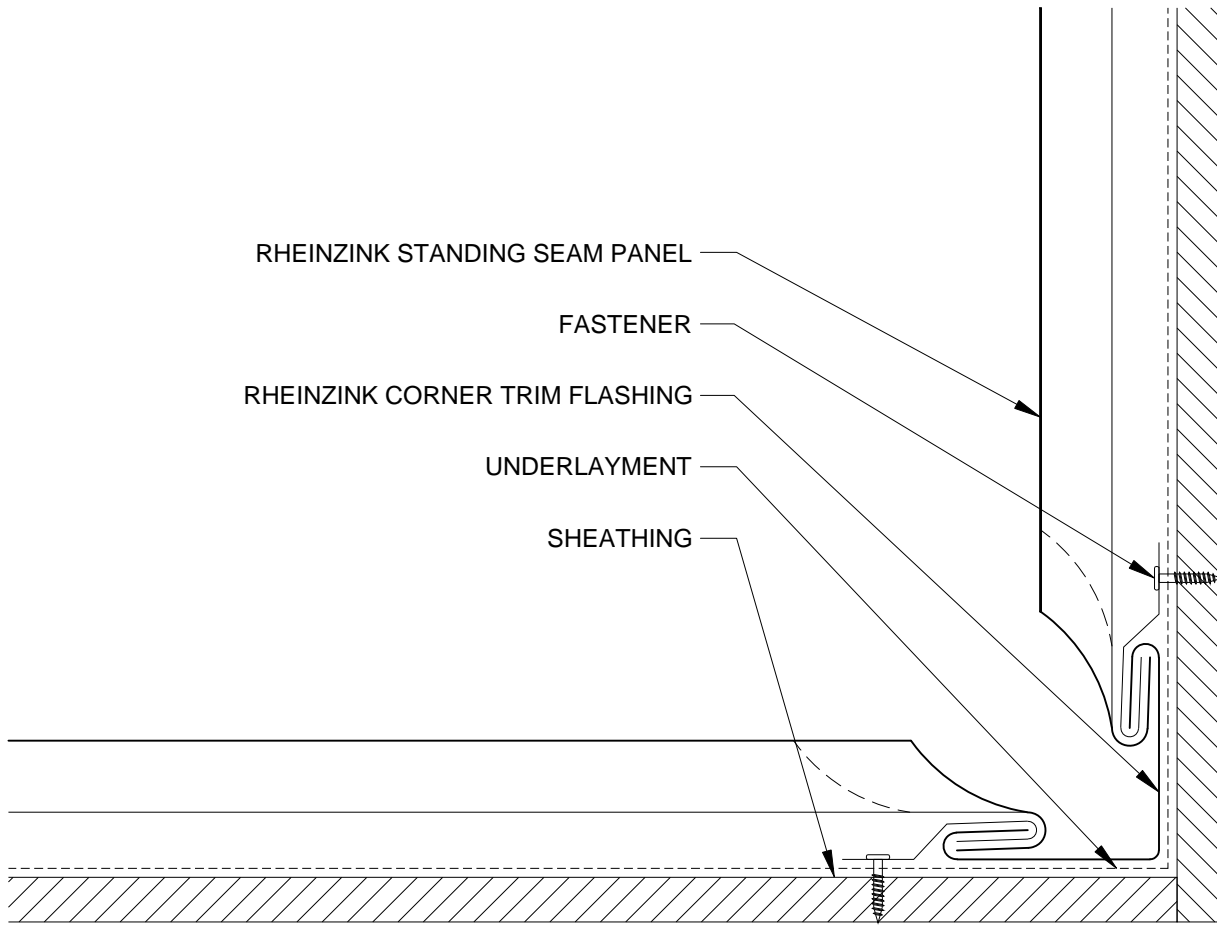
 Website: www.rheinzink.us E-mail: info@rheinzink.com			
INFORMATION AND DETAILS HEREIN ARE ONLY A BASELINE FOR SYSTEM DESIGN AND INSTALLATION. MODIFICATION TO MEET PROJECT REQUIREMENTS IS THE RESPONSIBILITY OF THE DESIGNER AND ARCHITECT. RHEINZINK AMERICA STAFF ARE AVAILABLE TO ASSIST THE DESIGNER AND ARCHITECT IN THIS PROCESS. RHEINZINK AMERICA MAKES NO REPRESENTATIONS AND WARRANTIES OTHER THAN THOSE EXPRESSED HEREIN.			
PROJECT:	STAND. SEAM FACADE DETAILS - H	DATE:	10-2011
DRAWING TITLE:	OUTSIDE CORNER DETAIL - OPT. 2	SCALE:	N.T.S.
COPYRIGHT RESERVED. THIS DRAWING REMAINS THE PROPERTY OF RHEINZINK.		SHEET:	SSF-H-4b



NOTES:


1. RHEINZINK RECOMMENDS STAINLESS STEEL FASTENERS AND CLIPS.
2. ZINC CLIPS MAY BE USED ON FACADES.

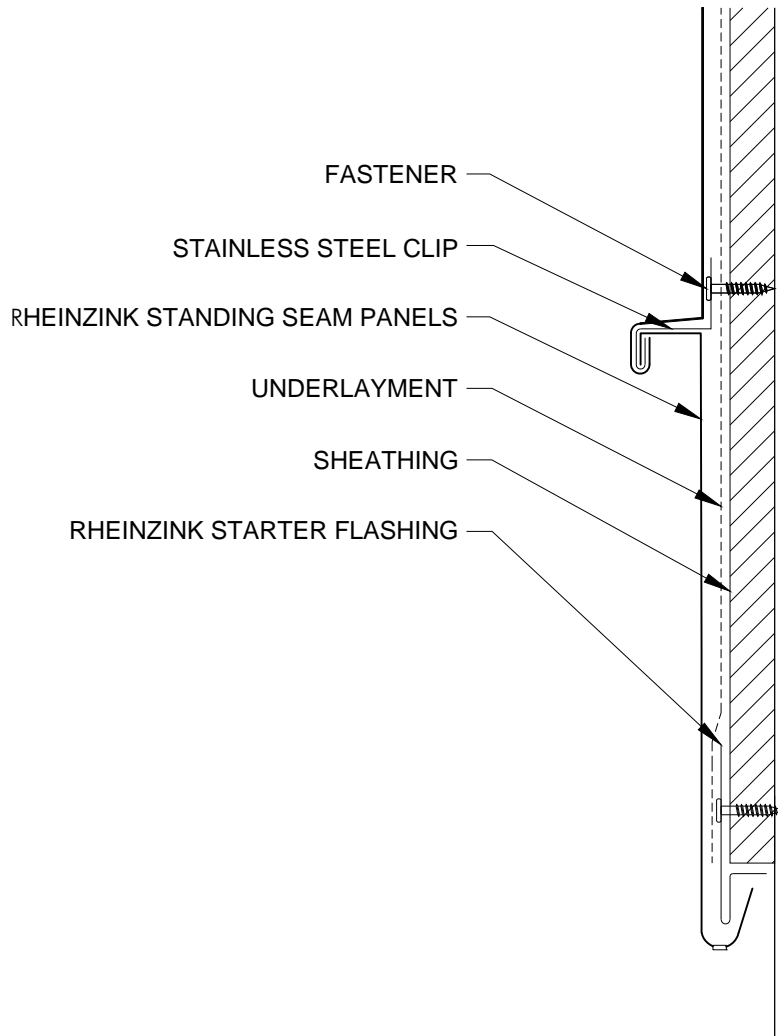
 Website: www.rheinzink.us E-mail: info@rheinzink.com	
INFORMATION AND DETAILS HEREIN ARE ONLY A BASELINE FOR SYSTEM DESIGN AND INSTALLATION. MODIFICATION TO MEET PROJECT REQUIREMENTS IS THE RESPONSIBILITY OF THE DESIGNER AND ARCHITECT. RHEINZINK AMERICA STAFF ARE AVAILABLE TO ASSIST THE DESIGNER AND ARCHITECT IN THIS PROCESS. RHEINZINK AMERICA MAKES NO REPRESENTATIONS AND WARRANTIES OTHER THAN THOSE EXPRESSED HEREIN.	
PROJECT: STAND. SEAM FACADE DETAILS - H	DATE: 10-2011
DRAWING TITLE: INSIDE CORNER DETAIL - OPT. 1	SCALE: N.T.S.
COPYRIGHT RESERVED. THIS DRAWING REMAINS THE PROPERTY OF RHEINZINK.	SHEET: SSF-H-5a



NOTES:

1. RHEINZINK RECOMMENDS STAINLESS STEEL FASTENERS AND CLIPS.
2. ZINC CLIPS MAY BE USED ON FACADES.

 Website: www.rheinzink.us E-mail: info@rheinzink.com	
INFORMATION AND DETAILS HEREIN ARE ONLY A BASELINE FOR SYSTEM DESIGN AND INSTALLATION. MODIFICATION TO MEET PROJECT REQUIREMENTS IS THE RESPONSIBILITY OF THE DESIGNER AND ARCHITECT. RHEINZINK AMERICA STAFF ARE AVAILABLE TO ASSIST THE DESIGNER AND ARCHITECT IN THIS PROCESS. RHEINZINK AMERICA MAKES NO REPRESENTATIONS AND WARRANTIES OTHER THAN THOSE EXPRESSED HEREIN.	
PROJECT: STAND. SEAM FACADE DETAILS - H	DATE: 08-2011
DRAWING TITLE: INSIDE CORNER DETAIL - OPT. 2	SCALE: N.T.S.
COPYRIGHT RESERVED. THIS DRAWING REMAINS THE PROPERTY OF RHEINZINK.	SHEET: SSF-H-5b



NOTES:

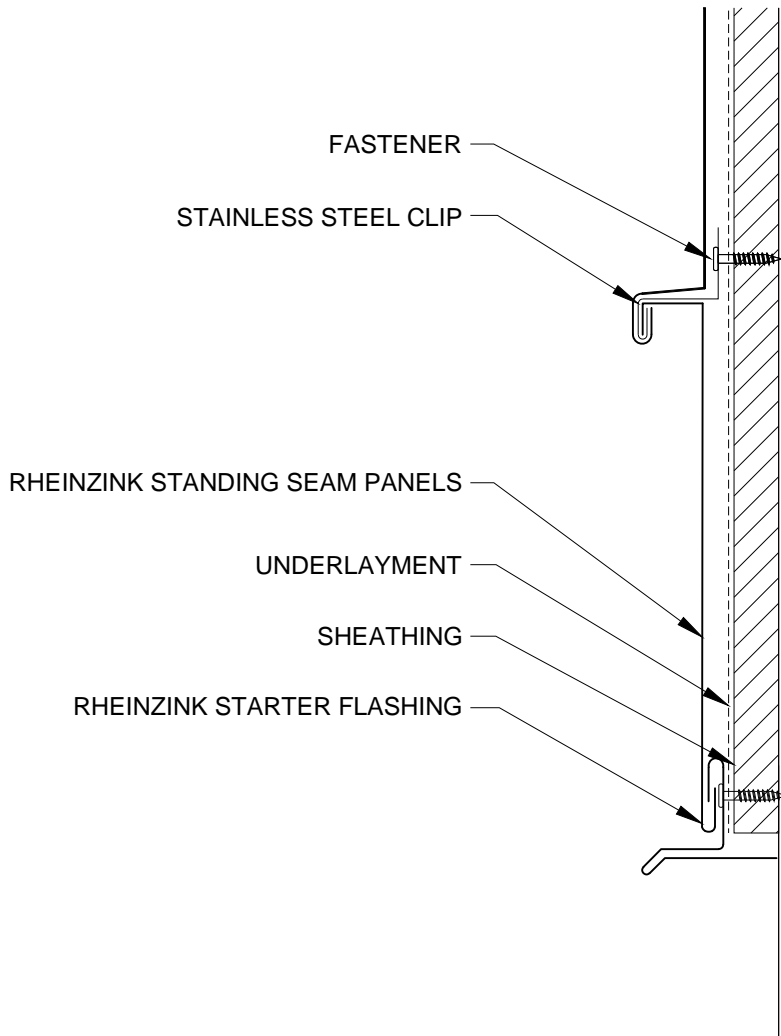
1. RHEINZINK RECOMMENDS STAINLESS STEEL FASTENERS AND CLIPS.
2. ZINC CLIPS MAY BE USED ON FACADES.



Website: www.rheinzink.us E-mail: info@rheinzink.com


INFORMATION AND DETAILS HEREIN ARE ONLY A BASELINE FOR SYSTEM DESIGN AND INSTALLATION. MODIFICATION TO MEET PROJECT REQUIREMENTS IS THE RESPONSIBILITY OF THE DESIGNER AND ARCHITECT. RHEINZINK AMERICA STAFF ARE AVAILABLE TO ASSIST THE DESIGNER AND ARCHITECT IN THIS PROCESS. RHEINZINK AMERICA MAKES NO REPRESENTATIONS AND WARRANTIES OTHER THAN THOSE EXPRESSED HEREIN.

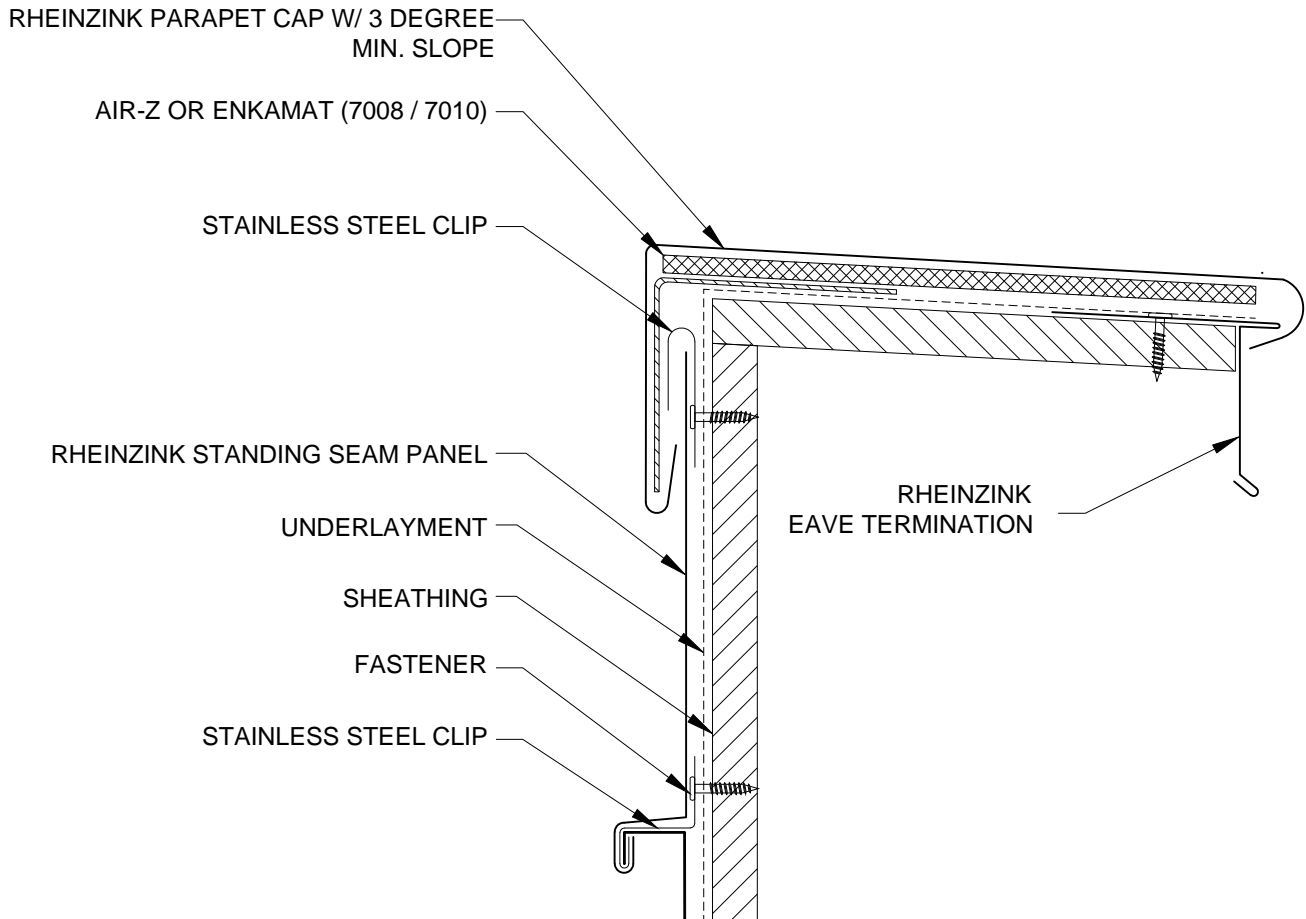
PROJECT:	STAND. SEAM FACADE DETAILS - H	DATE:	08-2011
DRAWING TITLE:	BASE TERMINATION DETAIL - OPT. 1	SCALE:	N.T.S.
COPYRIGHT RESERVED. THIS DRAWING REMAINS THE PROPERTY OF RHEINZINK.		SHEET:	SSF-H-6a



NOTES:


1. RHEINZINK RECOMMENDS STAINLESS STEEL FASTENERS AND CLIPS.
2. ZINC CLIPS MAY BE USED ON FACADES.

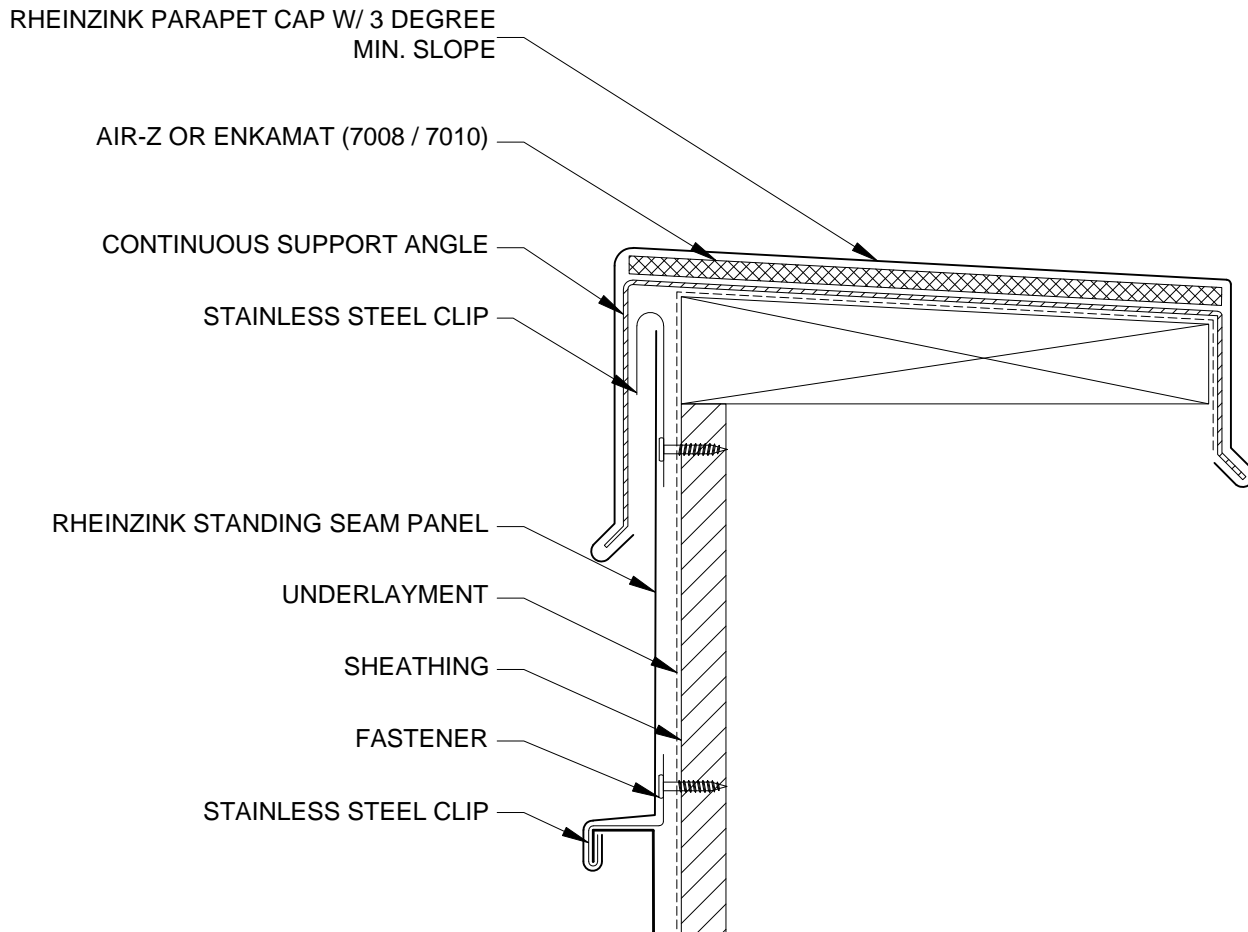
 Website: www.rheinzink.us E-mail: info@rheinzink.com							
INFORMATION AND DETAILS HEREIN ARE ONLY A BASELINE FOR SYSTEM DESIGN AND INSTALLATION. MODIFICATION TO MEET PROJECT REQUIREMENTS IS THE RESPONSIBILITY OF THE DESIGNER AND ARCHITECT. RHEINZINK AMERICA STAFF ARE AVAILABLE TO ASSIST THE DESIGNER AND ARCHITECT IN THIS PROCESS. RHEINZINK AMERICA MAKES NO REPRESENTATIONS AND WARRANTIES OTHER THAN THOSE EXPRESSED HEREIN.							
PROJECT:	STAND. SEAM FACADE DETAILS - H <table border="1" style="float: right; margin-left: 20px;"> <tr> <td>DATE:</td> <td>12-2011</td> </tr> <tr> <td>SCALE:</td> <td>N.T.S.</td> </tr> <tr> <td>SHEET:</td> <td>SSF-H-6b</td> </tr> </table>	DATE:	12-2011	SCALE:	N.T.S.	SHEET:	SSF-H-6b
DATE:	12-2011						
SCALE:	N.T.S.						
SHEET:	SSF-H-6b						
DRAWING TITLE:	BASE TERMINATION DETAIL - OPT. 2						
COPYRIGHT RESERVED. THIS DRAWING REMAINS THE PROPERTY OF RHEINZINK.							



NOTES:


1. RHEINZINK RECOMMENDS STAINLESS STEEL FASTENERS AND CLIPS.
2. ZINC CLIPS MAY BE USED ON FACADES.

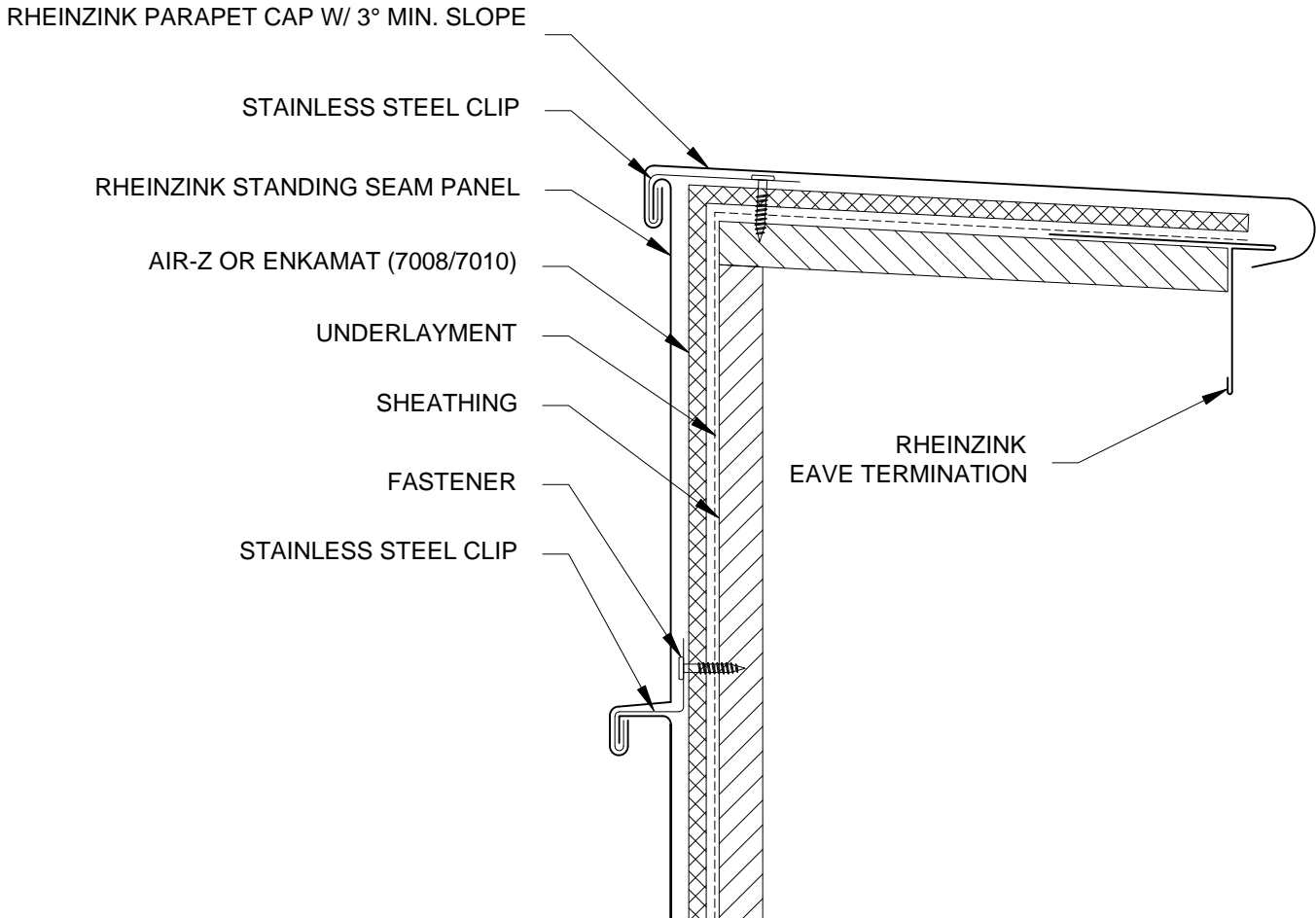
 Website: www.rheinzink.us E-mail: info@rheinzink.com	
INFORMATION AND DETAILS HEREIN ARE ONLY A BASELINE FOR SYSTEM DESIGN AND INSTALLATION. MODIFICATION TO MEET PROJECT REQUIREMENTS IS THE RESPONSIBILITY OF THE DESIGNER AND ARCHITECT. RHEINZINK AMERICA STAFF ARE AVAILABLE TO ASSIST THE DESIGNER AND ARCHITECT IN THIS PROCESS. RHEINZINK AMERICA MAKES NO REPRESENTATIONS AND WARRANTIES OTHER THAN THOSE EXPRESSED HEREIN.	
PROJECT: STAND. SEAM FACADE DETAILS - H	DATE: 08-2011
DRAWING TITLE: PARAPET DETAIL - OPT. 1	SCALE: N.T.S.
COPYRIGHT RESERVED. THIS DRAWING REMAINS THE PROPERTY OF RHEINZINK.	SHEET: SSF-H-7a



NOTES:


1. RHEINZINK RECOMMENDS STAINLESS STEEL FASTENERS AND CLIPS.
2. ZINC CLIPS MAY BE USED ON FACADES.

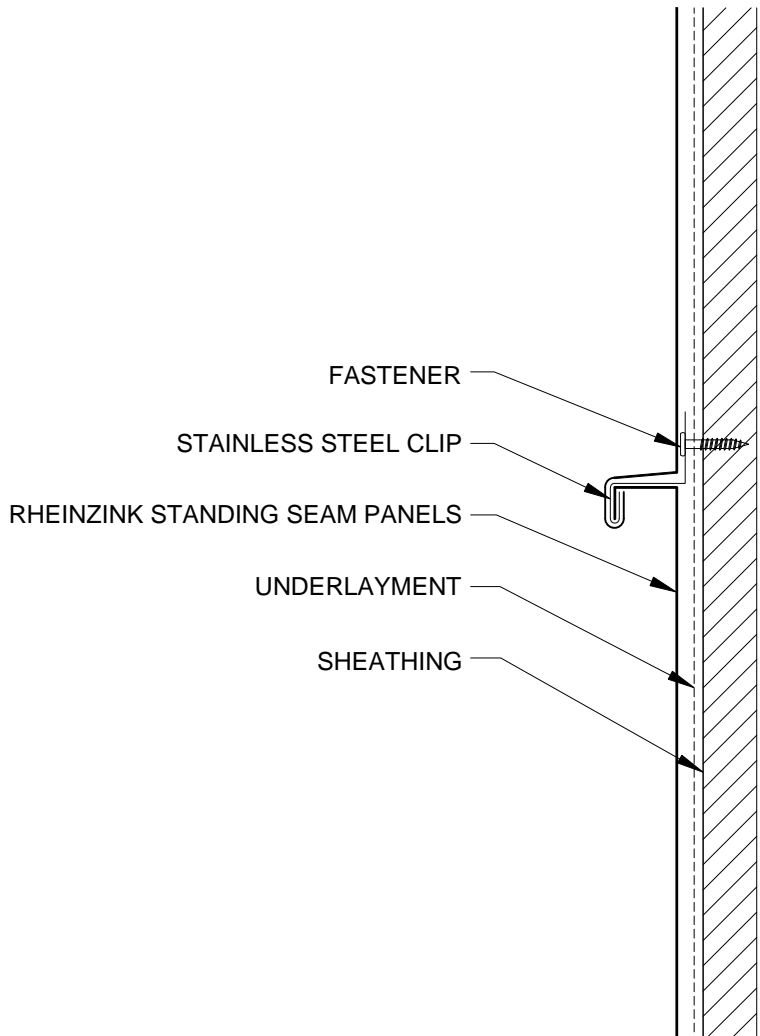
 Website: www.rheinzink.us E-mail: info@rheinzink.com	
INFORMATION AND DETAILS HEREIN ARE ONLY A BASELINE FOR SYSTEM DESIGN AND INSTALLATION. MODIFICATION TO MEET PROJECT REQUIREMENTS IS THE RESPONSIBILITY OF THE DESIGNER AND ARCHITECT. RHEINZINK AMERICA STAFF ARE AVAILABLE TO ASSIST THE DESIGNER AND ARCHITECT IN THIS PROCESS. RHEINZINK AMERICA MAKES NO REPRESENTATIONS AND WARRANTIES OTHER THAN THOSE EXPRESSED HEREIN.	
PROJECT: STAND. SEAM FACADE DETAILS - H	DATE: 08-2011
DRAWING TITLE: PARAPET DETAIL - OPT. 2	SCALE: N.T.S.
COPYRIGHT RESERVED. THIS DRAWING REMAINS THE PROPERTY OF RHEINZINK.	SHEET: SSF-H-7b



NOTES:


1. RHEINZINK RECOMMENDS STAINLESS STEEL FASTENERS AND CLIPS.
2. ZINC CLIPS MAY BE USED ON FACADES.

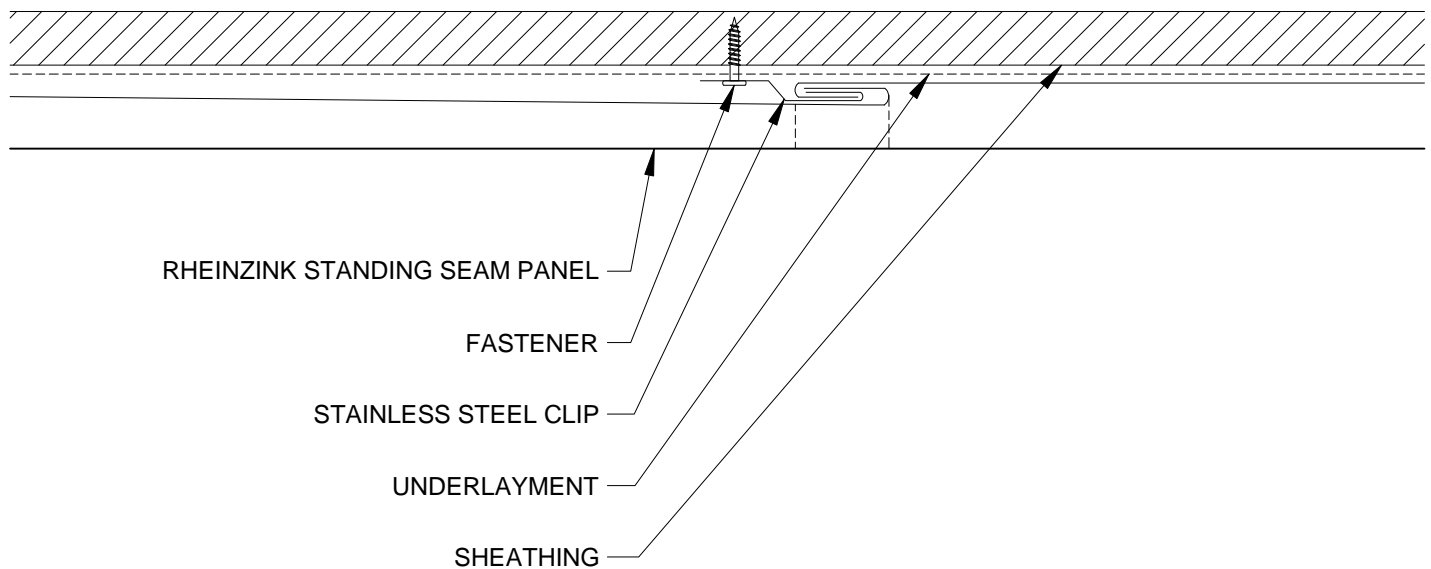
 Website: www.rheinzink.us E-mail: info@rheinzink.com	
INFORMATION AND DETAILS HEREIN ARE ONLY A BASELINE FOR SYSTEM DESIGN AND INSTALLATION. MODIFICATION TO MEET PROJECT REQUIREMENTS IS THE RESPONSIBILITY OF THE DESIGNER AND ARCHITECT. RHEINZINK AMERICA STAFF ARE AVAILABLE TO ASSIST THE DESIGNER AND ARCHITECT IN THIS PROCESS. RHEINZINK AMERICA MAKES NO REPRESENTATIONS AND WARRANTIES OTHER THAN THOSE EXPRESSED HEREIN.	
PROJECT: STAND. SEAM FACADE DETAILS - H	DATE: 10-2011
DRAWING TITLE: PARAPET DETAIL - OPT. 3	SCALE: N.T.S.
COPYRIGHT RESERVED. THIS DRAWING REMAINS THE PROPERTY OF RHEINZINK.	SHEET: SSF-H-7c



NOTES:

1. RHEINZINK RECOMMENDS STAINLESS STEEL FASTENERS AND CLIPS.
2. ZINC CLIPS MAY BE USED ON FACADES.

 Website: www.rheinzink.us E-mail: info@rheinzink.com	
INFORMATION AND DETAILS HEREIN ARE ONLY A BASELINE FOR SYSTEM DESIGN AND INSTALLATION. MODIFICATION TO MEET PROJECT REQUIREMENTS IS THE RESPONSIBILITY OF THE DESIGNER AND ARCHITECT. RHEINZINK AMERICA STAFF ARE AVAILABLE TO ASSIST THE DESIGNER AND ARCHITECT IN THIS PROCESS. RHEINZINK AMERICA MAKES NO REPRESENTATIONS AND WARRANTIES OTHER THAN THOSE EXPRESSED HEREIN.	
PROJECT:	STAND. SEAM FACADE DETAILS - H
DRAWING TITLE:	HORIZONTAL SEAM DETAIL
DATE:	08-2011
SCALE:	N.T.S.
COPYRIGHT RESERVED. THIS DRAWING REMAINS THE PROPERTY OF RHEINZINK.	SHEET: SSF-H-8



NOTES:

1. RHEINZINK RECOMMENDS STAINLESS STEEL FASTENERS AND CLIPS.
2. ZINC CLIPS MAY BE USED ON FACADES.



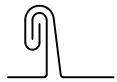
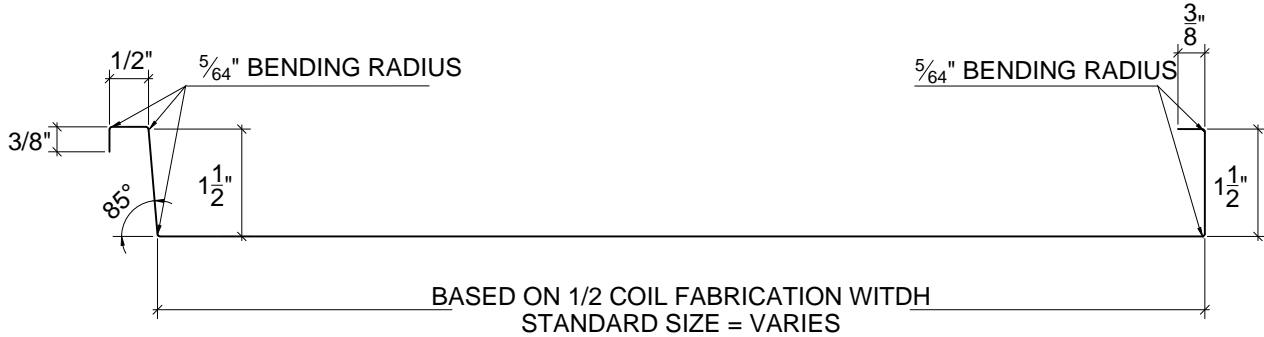
Website: www.rheinzink.us E-mail: info@rheinzink.com

INFORMATION AND DETAILS HEREIN ARE ONLY A BASELINE FOR SYSTEM DESIGN AND INSTALLATION. MODIFICATION TO MEET PROJECT REQUIREMENTS IS THE RESPONSIBILITY OF THE DESIGNER AND ARCHITECT. RHEINZINK AMERICA STAFF ARE AVAILABLE TO ASSIST THE DESIGNER AND ARCHITECT IN THIS PROCESS. RHEINZINK AMERICA MAKES NO REPRESENTATIONS AND WARRANTIES OTHER THAN THOSE EXPRESSED HEREIN.

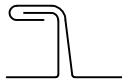
PROJECT:	STAND. SEAM FACADE DETAILS - H	DATE:	08-2011
DRAWING TITLE:	VERTICAL SEAM DETAIL	SCALE:	N.T.S.
COPYRIGHT RESERVED. THIS DRAWING REMAINS THE PROPERTY OF RHEINZINK.		SHEET:	SSF-H-9

GENERAL NOTES:

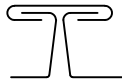
1. ALL DIMENSIONS ARE INCHES OR FRACTIONS THEREOF.
2. MATERIAL .7mm OR .8mm RHEINZINK PREWEATHERED TITANIUM ZINC.



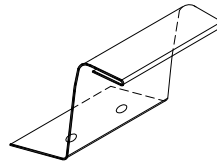
DOUBLE LOCK
STANDING SEAM
SLOPE



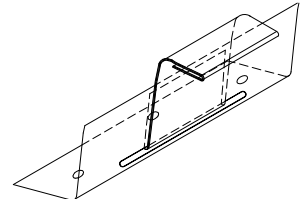
ANGLED
STANDING SEAM



DOUBLE ANGLED
STANDING SEAM



FIXED CLIP



SLIDING CLIP

NOTES:

1. RHEINZINK RECOMMENDS STAINLESS STEEL FASTENERS AND CLIPS.
2. ZINC CLIPS MAY BE USED ON FACADES.



Website: www.rheinzink.us E-mail: info@rheinzink.com

INFORMATION AND DETAILS HEREIN ARE ONLY A BASELINE FOR SYSTEM DESIGN AND INSTALLATION. MODIFICATION TO MEET PROJECT REQUIREMENTS IS THE RESPONSIBILITY OF THE DESIGNER AND ARCHITECT. RHEINZINK AMERICA STAFF ARE AVAILABLE TO ASSIST THE DESIGNER AND ARCHITECT IN THIS PROCESS. RHEINZINK AMERICA MAKES NO REPRESENTATIONS AND WARRANTIES OTHER THAN THOSE EXPRESSED HEREIN.

PROJECT:	STAND. SEAM FACADE DETAILS - H	DATE:	08-2011
DRAWING TITLE:	PANEL & SEAM PROFILES	SCALE:	N.T.S.
COPYRIGHT RESERVED. THIS DRAWING REMAINS THE PROPERTY OF RHEINZINK.		SHEET:	SSF-H-10